



DAS

| CONCRETE |
| COUNTERTOPS

PRODUCT CATALOGUE

WWW.DASCONCRETE.COM



BEAUTY THAT YOU CAN AFFORD **TO LOVE.**

Proudly located in Dieppe, New Brunswick, D.A.S. transforms simple, locally sourced materials into beautiful surfaces that you can afford to love. Our mission? To reinvent concrete as a sustainable and accessible alternative to mainstream materials, whether you are looking for custom-made countertops or a creative outlet for your DIY skills.

By combining craftsman skills with an efficient manufacturing process and a sophisticated understanding of the art and science of concrete, we offer you the best of both worlds: consistent quality and unique character. Durable, distinctive and versatile, D.A.S. products make an ideal modern design solution, whether you are looking for a timeless and functional surface that can stand up to life in the long run, or a unique conversation piece for your home or office.



We offer full custom services across the Maritimes, as well as a growing line of off-the-shelf products, ideal for contractors and skilled do-it-yourselfers. All D.A.S. products are poured, cured and polished in our 4000 square foot manufacturing facility in Dieppe, New Brunswick. If you're in the area, please stop by and visit our showroom!

DURABILITY • AFFORDABILITY • SUSTAINABILITY





PRE-FABRICATED POLISHED CONCRETE SLABS

Ideal use as countertops, desk tops, vanity tops, islands & more!

STANDARD COUNTERTOP WIDTHS

- Available widths: 25.5" (kitchen) or 22.5" (bathroom vanity)
- Available lengths: 4', 6', 8'
- Thickness: 1.5" (Approx 20lb/sq ft)
- Pre-sealed with high quality, water-based penetrating sealer
- Can be trimmed to size or cut to accommodate sinks and cook tops using diamond blades
- Indoor & outdoor application
- Matching backsplash available upon request: 3" x 1"

8'



6'

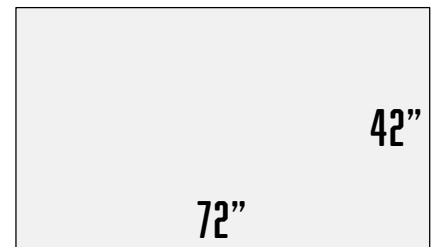
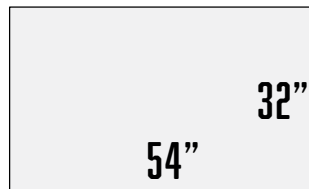


4'



PRE-FABRICATED CONCRETE ISLANDS

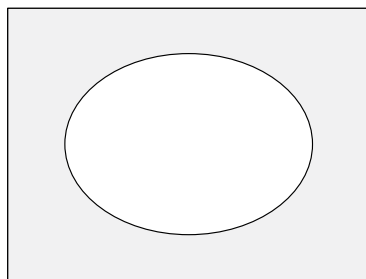
- Small: 32" x 54" (240lb), compatible with standard 24" cabinets (8" overhang)
- Large: 42" x 72" (420lb)





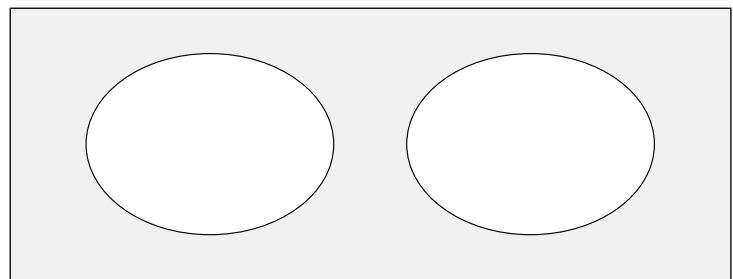
PRE-FABRICATED CONCRETE VANITY TOPS WITH STANDARD SINK CUT-OUT

- Includes rough cut-out for standard oval porcelain sink (top-mount)
- Available in two sizes: 32"L x 22.5"W (single sink) or 60" x 22.5" (double sink)
- Thickness: 1.5"
- Weight: Approx. 95lb (single sink) or 180lb (double sink)
- Sealed with high quality, water-based penetrating sealer
- Simple and stylish solution for standard bathroom applications in homes, apartments or commercial buildings
- Ends can be trimmed to fit using diamond blade
- Matching backsplash available upon request: 3" x 1"



32"

22.5"



60"

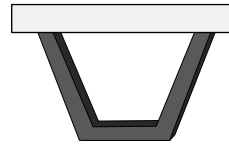




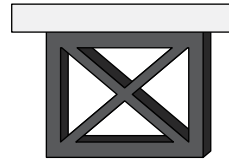
PRE-FABRICATED CONCRETE TABLETOPS & TABLES

COFFEE TABLES

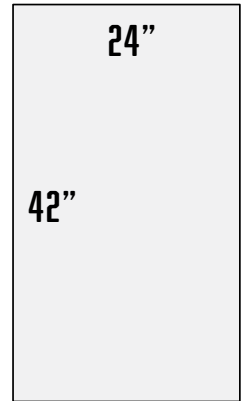
- Dimensions: 24"W x 42"L x 19"H
- Thickness: 1.5"
- Weight: 140 lbs
- Can be used indoors or outdoors
- Metal or wooden leg designs available



OPTION 1

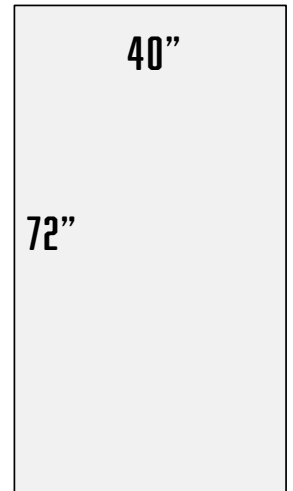
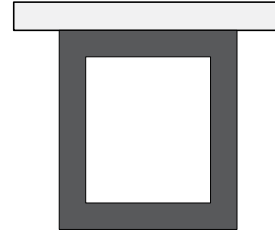


OPTION 2



KITCHEN/DINING/OFFICE

- Table top dimensions: 40" x 72" (seats 6).
- Weight: 375lb
- Thickness: 1.25" thick with 2" lip
- Base (optional): Standard wood and metal designs available

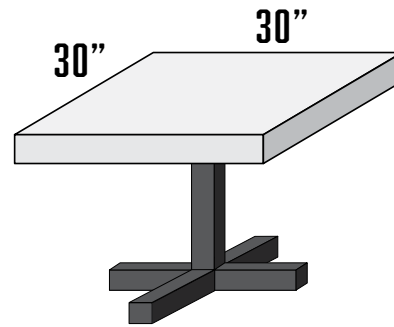
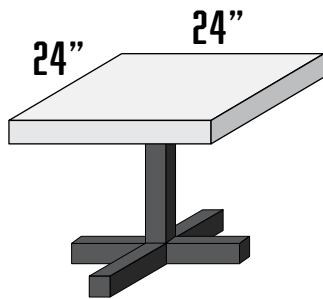




PRE-FABRICATED CONCRETE PEDESTAL TABLE

COMMERCIAL

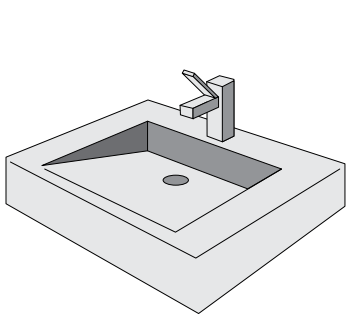
- Dimensions: 24" x 24" (80lb); 30" x 30" (125lb)
- Thickness: 1.5"
- Pedestal base regular or bar height
- Functional design feature for restaurants, cafes, pubs or small kitchens
- Can be used outdoors





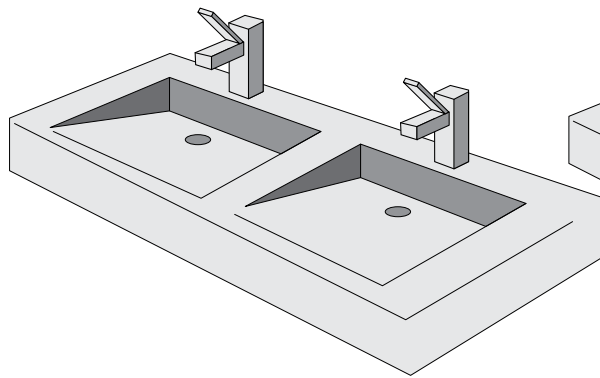
PRECAST CONCRETE SINKS

- Can be wall-mounted or installed on top of standard vanity cabinets
- Single faucet hole included
- No overflow
- Sealed with high quality, water-based polyurethane
- Brackets sold separately



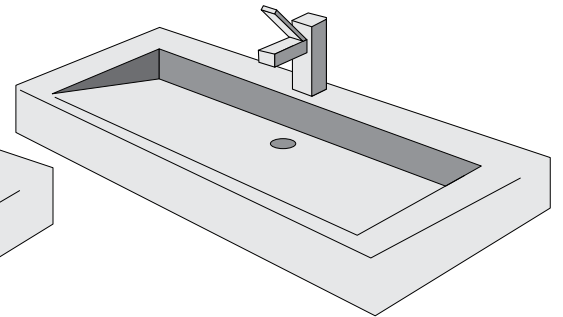
SINGLE RAMP SINK

- Dimensions: 30"L x 22"W x 6"H



DOUBLE RAMP SINK

- Dimensions: 60"L x 22"W x 6"H



LARGE SINGLE RAMP SINK

- Dimensions: 60"L x 22"W x 6"H

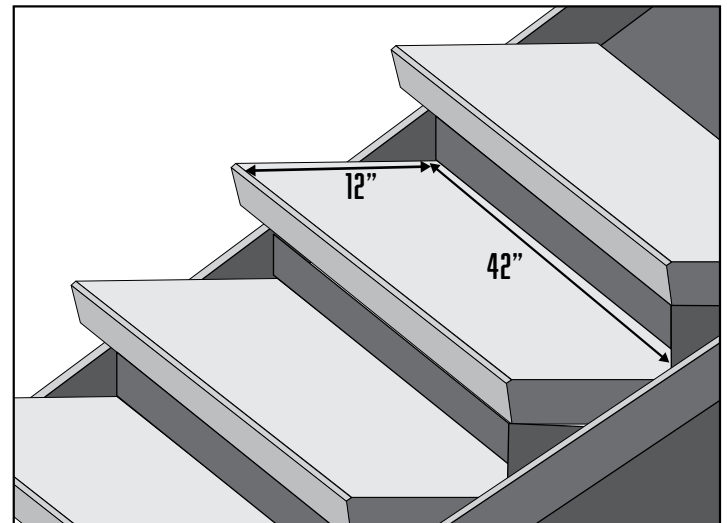
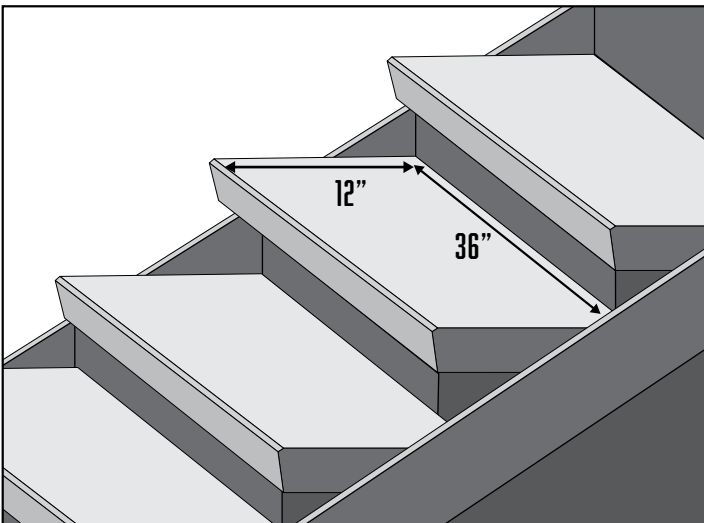




PRE-CAST CONCRETE STAIR TREADS

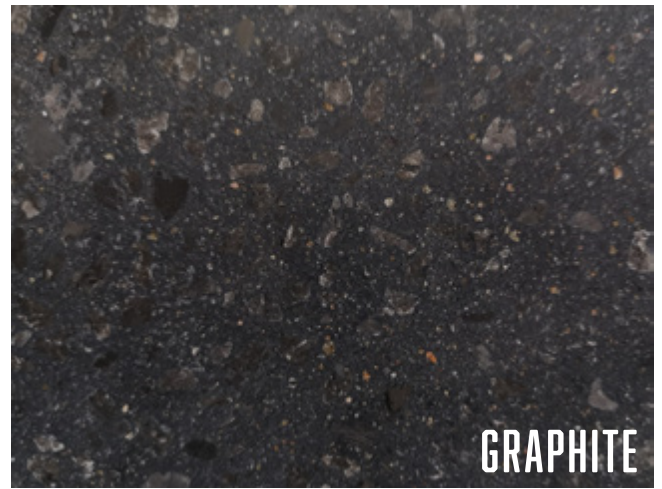
PRE-CAST CONCRETE STAIR TREADS

- Two sizes: 12" x 36"; 12" x 42"
- Thickness: 1.5"
- Open riser profile
- Can be trimmed to fit
- Durable & non-combustible
- Custom concrete landings available



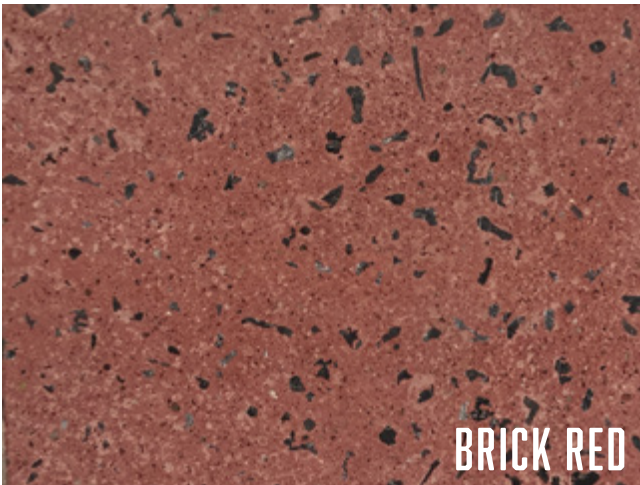


COLOR SELECTION





COLOR SELECTION



LOOKING FOR SOMETHING DIFFERENT?

Custom colour samples are available at a cost of \$125/sample (credited to the final invoice if the project proceeds).

Contact us to discuss your specific colour needs.





DAS

| CONCRETE |
COUNTERTOPS

UNIT 2, 703 BOULEVARD MALENFANT
DIEPPE, NB
(506) 858-7092
INFO@DASCONCRETE.COM



@DASCONCRETE

WWW.DASCONCRETE.COM